



# GYRO TECH™

by NABCO Entrances Inc.

Where quality and service are automatic

WWW.NABCOENTRANCES.COM

1-877-622-2694

JOB NAME: \_\_\_\_\_

LOCATION: \_\_\_\_\_

DISTRIBUTOR: \_\_\_\_\_

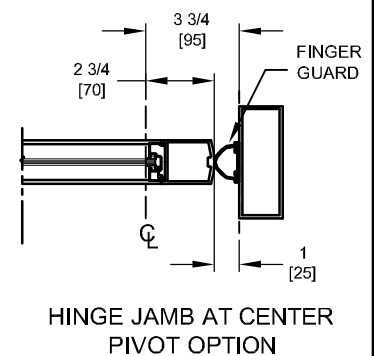
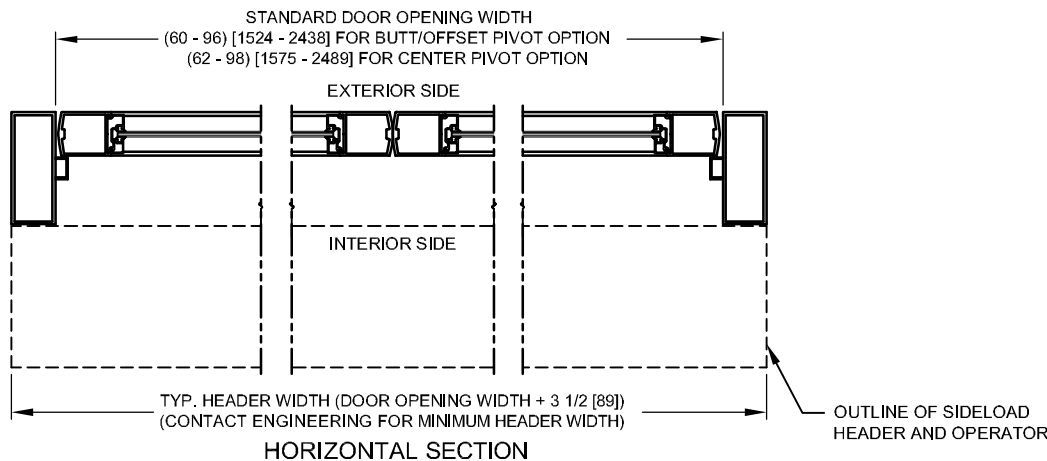
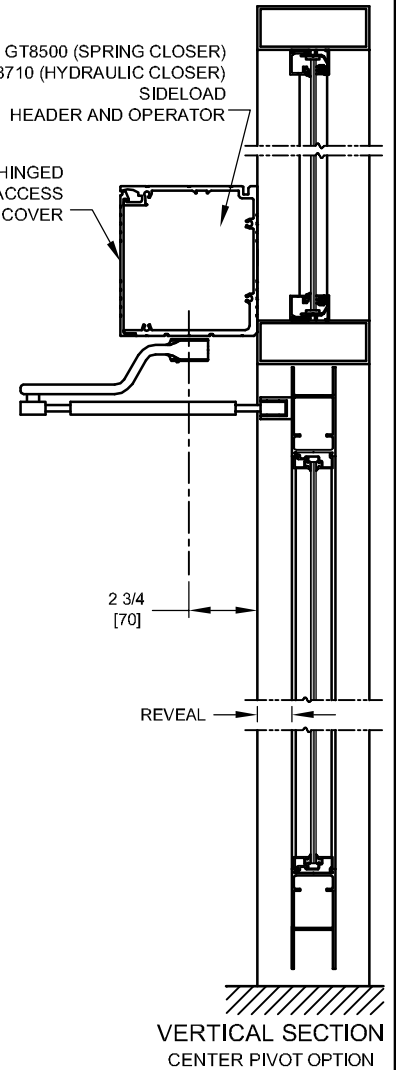
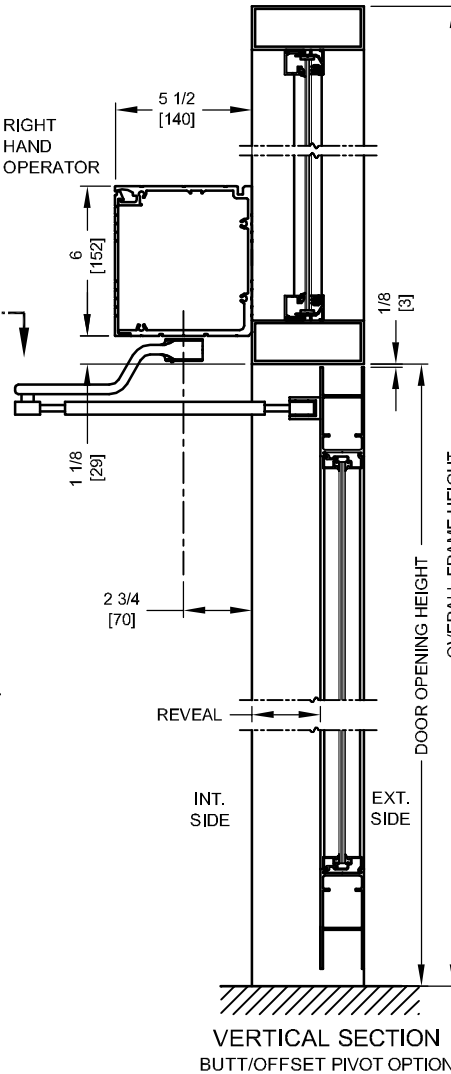
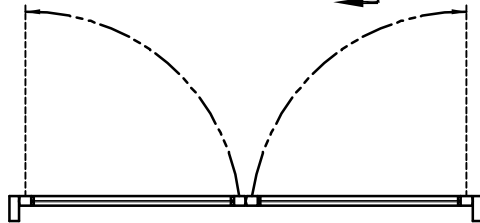
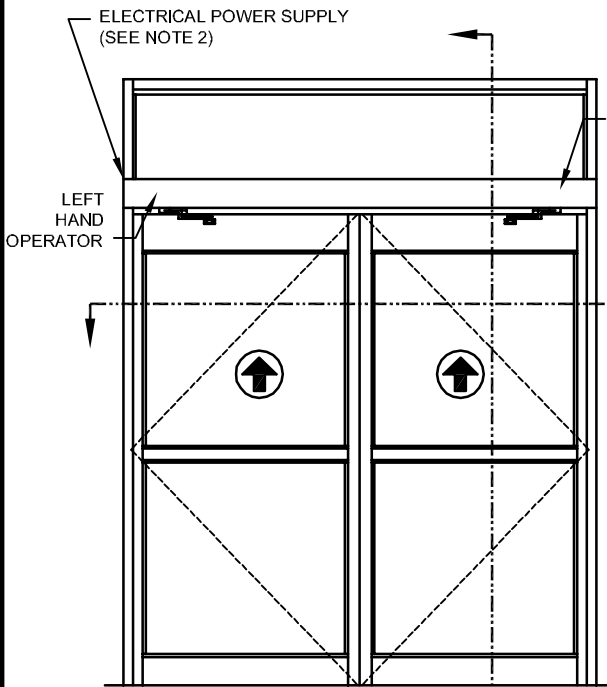
DOOR #: \_\_\_\_\_ DATE: \_\_\_\_\_

SHEET \_\_\_\_ OF \_\_\_\_

**GT8500-04**

**GT8710-04**

**SIDELOAD HEADER  
SIMULTANEOUS  
PAIR  
OUTSWING**



NOTES:

1. GUIDE RAILS, MATS, PUSH PLATES AND VARIOUS ELECTRONIC DEVICES FOR THE DOOR ACTIVATION AND CONTROL ARE OPTIONAL. CONSULT WITH YOUR NABCO/GYRO TECH DISTRIBUTOR.
2. POWER TO HEADER WILL BE 115VAC, 5 AMP PER OPERATOR PROVIDED BY ELECTRICAL CONTRACTOR.
3. STANDARD HARDWARE SUPPLIED WILL ACCOMMODATE DOOR THICKNESS OF 1 3/4" TO 2 1/4".
4. APPLICATION ON BALANCE DOORS REQUIRES RELOCATION OF THE OPERATOR PIVOT.
5. SPECIAL ARMS MAY BE REQUIRED ON INSWING DOORS WITH REVEAL GREATER THAN 1 3/4".

# LOW ENERGY