



# GYRO TECH™

by NABCO Entrances Inc.

Where quality and service are automatic

WWW.NABCOENTRANCES.COM

1-877-622-2694

JOB NAME: \_\_\_\_\_

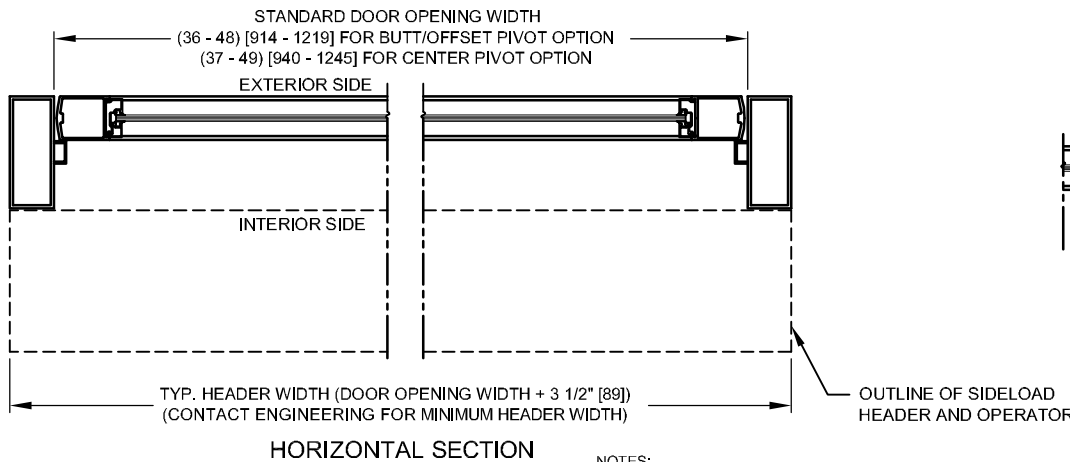
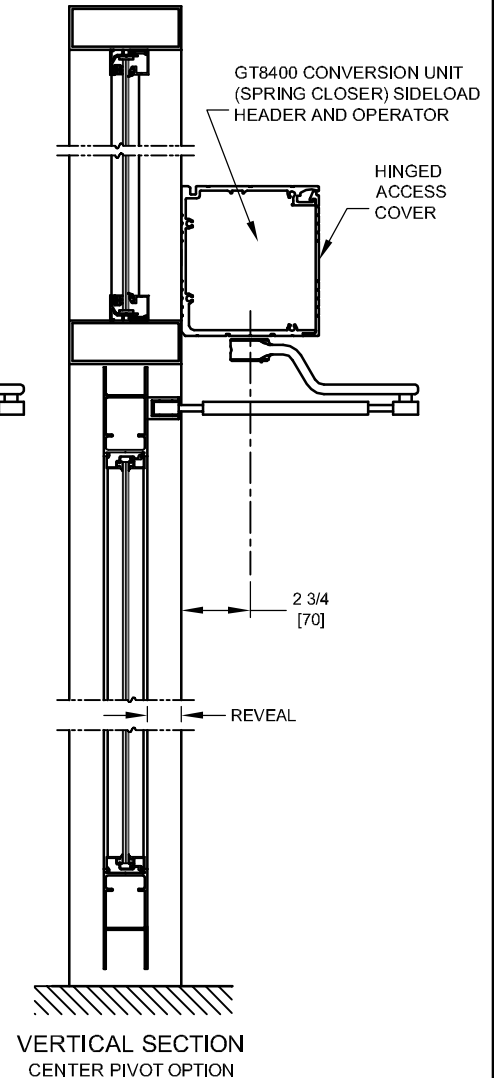
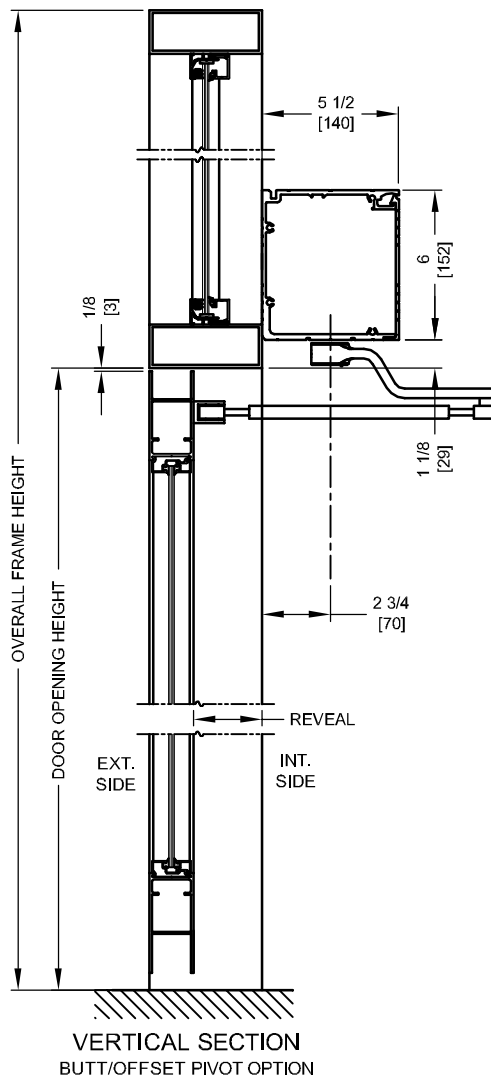
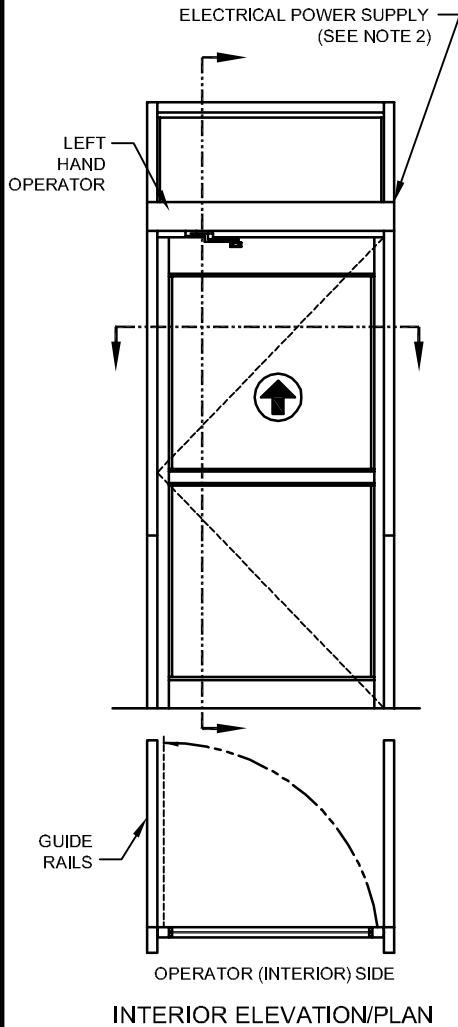
LOCATION: \_\_\_\_\_

DISTRIBUTOR: \_\_\_\_\_

DOOR #: \_\_\_\_\_ DATE: \_\_\_\_\_

SHEET \_\_\_\_ OF \_\_\_\_

## GT8400-02L SIDELOAD HEADER LEFT HAND OUTSWING



- NOTES:
1. GUIDE RAILS, MATS, PUSH PLATES AND VARIOUS ELECTRONIC DEVICES FOR THE DOOR ACTIVATION AND CONTROL ARE OPTIONAL. CONSULT WITH YOUR NABCO/GYRO TECH DISTRIBUTOR.
  2. POWER TO HEADER WILL BE 115VAC, 5 AMP PER OPERATOR PROVIDED BY ELECTRICAL CONTRACTOR.
  3. STANDARD HARDWARE SUPPLIED WILL ACCOMODATE DOOR THICKNESS OF 1 3/4" TO 2 1/4".
  4. APPLICATION ON BALANCE DOORS REQUIRES RELOCATION OF THE OPERATOR PIVOT.
  5. SPECIAL ARMS MAY BE REQUIRED ON INSWING DOORS WITH REVEAL GREATER THAN 1 3/4" AND OUTSWING DOORS WITH REVEAL GREATER THAN 16".